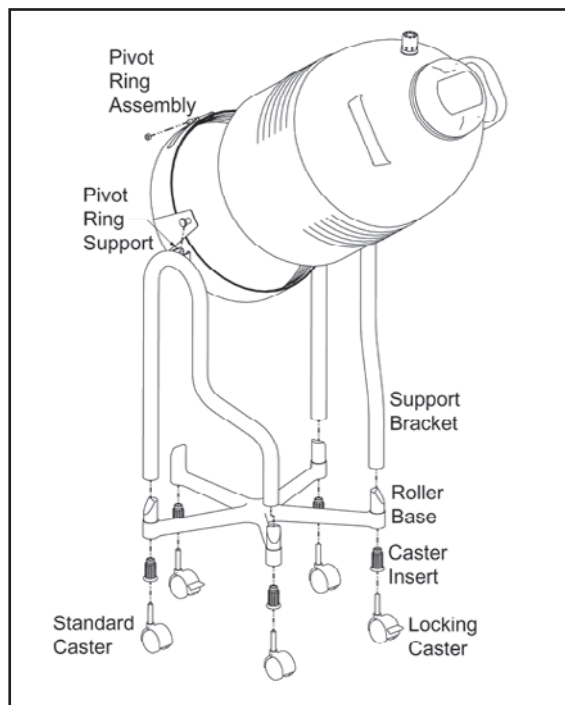


# Tipping Stand



## ASSEMBLY INSTRUCTIONS

This accessory is intended to provide mobility and assist in transferring liquid nitrogen from the model LD25. The easy-to-assemble stand has a 5 wheel cast-aluminum dolly for handling convenience and side brackets to support the weight of the Dewar while you tip the unit forward to pour. When not in use, the weight of the contents returns the Dewar to an upright position. To position the Dewar in the stand, secure the unit in the pivot ring so that it balances itself upright when in storage or travel and yet allows you to safely control the unit while pouring.



TIPPING STAND DRAWING

### Caution:

Avoid liquid nitrogen over-filling. Adhesives that are subjected to extreme cold should be inspected and, if needed, should be replaced.

**LIQUID NITROGEN CAN PRESENT HAZARDS THAT RESULT IN PERSONAL INJURY.** To protect yourself and others, read "Handle with Care," and the Operating Instructions that are provided with Dewar.

## ASSEMBLY INSTRUCTIONS

- Remove the necktube cap/core from the LD25 Dewar.
- Remove 3 flat-head mounting screws in the base of the plastic trim collar around the neck of the Dewar, remove the collar and discard or save for later. It is not required when the LD25 Tipping Stand is used.
- Slide the support brackets down, over the smooth roller base pegs, so that the pivot ring supports are directed inward.
- Remove the nut on the pivot ring to loosen the assembly. Position the Dewar in place, leaving one corrugation showing above the ring. Tighten the nut back into place.
- Slide the pivot ring assembly into place and press down into position. If necessary, reposition the Dewar in the pivot ring to get the proper balance described above.

REPLACEMENT PARTS	PART NUMBER
Roller Base	R033-8C12
Support Bracket, Left	D025-8C19
Support Bracket, Right	D025-8C20
Caster, Standard	7300-8064
Caster, Locking	7300-8063
Pivot Ring Assembly	D225-8C15
Caster Insert	7300-8065
Rubber Grip, Contoured	D025-8C18



MADE IN USA

855.750.8191 | sales@ICBiomedical.com

www.ICBiomedical.com

Made In USA

© 2022, IC Biomedical, LLC